

ON-PREMISES
SINGLE TUMBLE DRYER

PT075

75lb

PT
RANGE

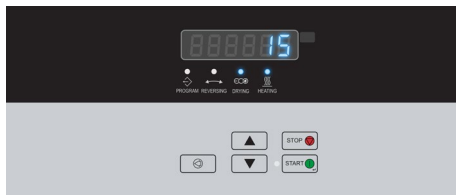


FEATURES

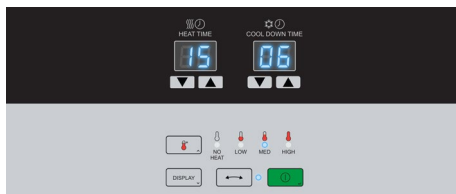
- Easy-to-use digital control
- Electric, gas and steam heating
- Large door opening for easy loading and unloading
- Galvanized cylinder
- Radial airflow
- Large self-cleaning lint screen

OPTIONS

- Full OPL XQ control
- Reversing cylinder to avoid tangling of large items
- Stainless steel cylinder
- Stainless steel front panel
- Sensodry+® over-dry prevention technology lowers energy, utility and linen replacement costs
- SafeTech™ Fire Suppression System, a multi-port water manifold system, will saturate linens in an unlikely event of fire within the cylinder



XQ Control



Dual Digital Control



FAST DRYING



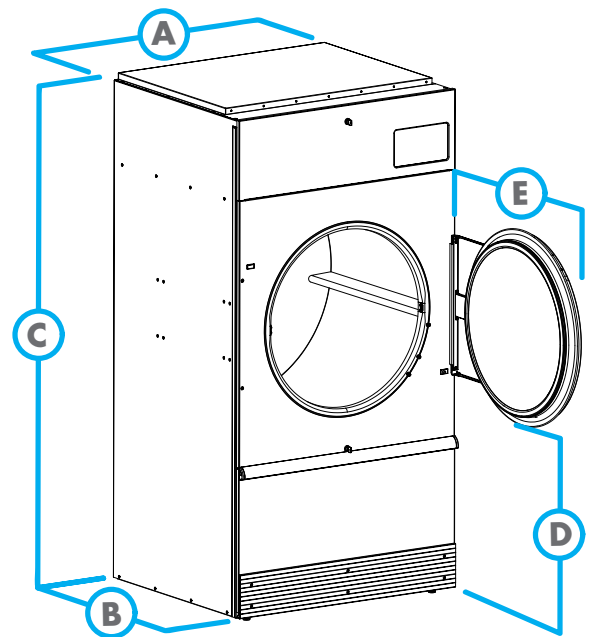
EASY
OPERATION



LARGE DOOR
OPENING

GET AHEAD IN LAUNDRY 

MODEL		PT075
CONTROL OPTION		XQ, DDC
CAPACITY - lb (kg)		75 (34)
OVERALL WIDTH - in (mm)		38.62 (981)
OVERALL DEPTH - in (mm)		35.5 (902)
OVERALL HEIGHT - in (mm)		Gas/Electric 76.62 (1946) Steam 80 (2032)
CYLINDER DIAMETER - in (mm)		37 (940)
CYLINDER VOLUME - cu. ft. (liters)		22.4 (634)
DOOR OPENING SIZE - in (mm)		26.88 (683)
ENERGY DATA		Steam Models - 100 psi 210,300 Btu/h Electric Models 30 kW Gas Models 165,000 Btu/h
EXHAUST - in (mm)		8 (203)
GAS CONNECTIONS - in (npt)		0.75
STEAM CONNECTIONS - in (npt)		0.75
MOTOR - hp		Fan 0.75 Drive 0.75
DRYING AVERAGE - lbs/min		Gas Heating 1.36 Electric Heating 0.82
AIRFLOW - cfm		Gas/Steam 920 Electric 750
ELECTRIC SPECS - amps		Non Rev (Rev)
GAS & STEAM		120/208-240/60/1 2W/3W+G 13 (13) 120/60/1 2W+G 13.8 200-208/240/60/1 2W+G 7.6/7.6 200-208/240/60/3 3W+G 3.8/3.8 (4.3/4.3) 380/60/3 3W+G 1.8 (2.1) Steam Only - 440/60/3 3W+G 1.9 (2.1) 460-480/60/3 3W+G 1.9 (2.1)
ELECTRIC		200-208/60/3 3W+G 89 (88) 240/60/3 3W+G 79 (78) 380/60/3 3W+G 47 (48) 440/60/3 3W+G 41 (41) 480/60/3 3W+G 38 (38)
SHIPPING DIMENSIONS APPROX. - in (mm)		Width 41.5 (1054) Depth 56.4 (1433) Height 81 (2057)
NET WEIGHT - lb (kg)		615 (279)
SHIPPING WEIGHT - lb (kg)		677 (307)
AGENCY APPROVALS		cCSAus



DIMENSIONS		PT075
A.	OVERALL WIDTH - in (mm)	38.62 (981)
B.	OVERALL DEPTH - in (mm)	35.5 (902)
C.	OVERALL HEIGHT - in (mm)	Gas/Electric 76.62 (1946) Steam 80 (2032)
D.	DOOR BOTTOM TO FLOOR - in (mm)	30.75 (781)
E.	DOOR SWING - in (mm)	33.88 (860)

AY18-0035

For the most accurate information, the installation guide should be used for all design and construction purposes. Due to continuous product improvements, design and specifications subject to change without notice. The quality management system of Alliance Laundry Systems' Ripon facility has been registered to ISO 9001:2008.

© 2018 Alliance Laundry Systems LLC

www.primuslaundry.com

primus

by Alliance Laundry Systems