

M758V

75-lb Capacity OPL Dryer

Standard Features:

- 75-lb. capacity
- 21.50 cu. ft basket volume
- 175,000 Btu/hr heat input, 1,000 cfm airflow
- Radial airflow
- Steel door with gasketless glass
- 8" diameter vent connection
- Easy to clean lint drawer
- Available in gas, steam and electric heat

Optional Features:

- Stainless steel front, cabinet & basket
- Reversing basket
- F.S.S. (Fire Suppression System)

Why Purchase Milnor M758V?

Engineer Driven Design That is Built to Last

Our dryers showcase an engineer-driven approach to design. Bearings are permanently lubricated on the motor and drive system. There are no chains used; rather, we use V-belts and pulleys for smooth, quiet, and trouble free operation. Our dryer cabinets are electrostatically powder-painted inside and out then baked at 420-degrees fahrenheit before final assembly - ensuring the hardest surface and the longest lasting finish in the industry.

Rugged Steel Door with Gasketless Door Glass

Our dryer doors are one solid piece of steel with gasketless glass. This eliminates the issue of glass falling out due to wear and tear on rubber gaskets that some manufacturers use to secure their glass. The security and durability that gasketless glass provides is essential to longevity.

Easy-to-Read, Multilingual Controls

Our dryers were one of the first computer operated dryers on the market and we continue to apply innovative technology to dryer operation. Our accessible design, easy-to-read LED screens and our user friendly multilingual interface positions Milnor as a leader in the laundry industry.

Your local Milnor independent authorized distributor

OPL



M758V OPL Dryer



M758V

ML-758V Specifications

Maximum Capacity (dry weight)		75 lb	34.02 kg
Tumbler Diameter		36-1/4"	92.08 cm
Tumbler Depth		36"	91.44 cm
Tumbler Volume		21.50 cu ft	608.81 L
Tumbler / Drive Motor		1 hp / 1/2 hp*	0.75 kW / 0.37 kW
Blower / Fan Motor*		— / 1 hp*	— / 0.75 kW
Door Opening (diameter)		31-3/8"	79.69 cm
Door Sill Height		28"	71.12 cm
Water Connection (optional feature - FSS)		3/4" - 11.5 NH (North America) 3/4" B.S.P.T. (Outside North America)	
Dryers per 20' / 40' Container		9 / 20	
Dryers per 48' / 53' Container		24 / 26	
Voltage Available		120-575V	1,3ø 2,3,4w 50/60 Hz
Approximate Net Weight		721 lb	327.04 kg
Approximate Shipping Weight		773 lb	350.63 kg
Airflow		60 Hz 1,000 cfm	28.32 cmm
		50 Hz 833 cfm	23.60 cmm
Heat Input		175,000 Btu/hr	44,099 kcal/hr
Exhaust Connection (diameter)		8" 20.32 cm	
Compressed Air Connection		N / A	
Compressed Air Volume		N / A	
Inlet Pipe Connection		3/4" F.N.P.T.	
		3/4" B.S.P.T. (CE and Australia Only)	
Voltage Available		208-575V	3ø 3,4w 50/60 Hz
Approximate Net Weight		721 lb	327.04 kg
Approximate Shipping Weight		773 lb	350.63 kg
Airflow		60 Hz 1,000 cfm	28.32 cmm
		50 Hz 833 cfm	23.60 cmm
Compressed Air Connection		8" 20.32 cm	
Compressed Air Volume		N / A	
Exhaust Connection (diameter)		N / A	
Oven Size		kW	Btu/hr
		30	102,400
			kcal/hr
			25,800
Voltage Available		120-575V	1,3ø 2,3,4w 50/60 Hz
Approximate Net Weight		816 lb	370.13 kg
Approximate Shipping Weight		868 lb	393.72 kg
Airflow		60 Hz 1,200 cfm	33.98 cmm
		50 Hz 1,000 cfm	28.32 cmm
Steam Consumption (Max)		275 lb/hr	124.7 kg/hr
Operating Steam Pressure		125 psi max	8.62 bar
Exhaust Connection (diameter)		8" 20.32 cm	
Compressed Air Connection		1/8" F.N.P.T.	
Compressed Air Volume		0.75 cfh	0.02 cmh
Boiler Horsepower (Normal Load)		7.2 Bhp	
Supply Connection		(1) 1" N.P.T. (Female)	
Return Connection		(1) 1" N.P.T. (Female)	

* Reversing dryers use 3-phase (3ø) motors.
** Air-operated steam damper system requires a clean, dry, and regulated 80 psi +/- 10 psi (5.51 bar +/- 0.69 bar) air supply.

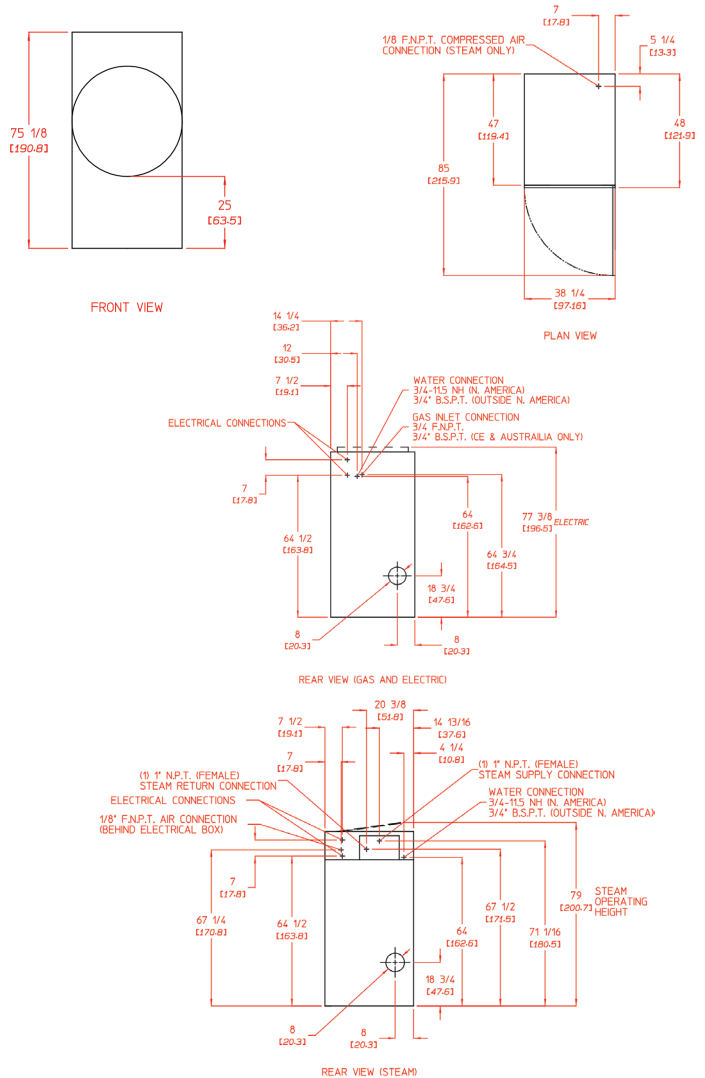
REV 04/04/15

DRYER NOTES:

- * DUCTWORK SIZE VARIES WITH INSTALLATION CONDITIONS.
- * EXHAUST STATIC PRESSURE MUST BE NO LESS THAN 0 AND MUST NOT EXCEED 0.7" (17.4 MB) WATER COLUMN.

STEAM DRYER NOTES:

- * OPERATING HEIGHT OF STEAM DRYER IS 79" (200.6 CM).
- * SIZE OF PIPING TO DRYER VARIES WITH INSTALLATION CONDITIONS. CONTACT FACTORY FOR ASSISTANCE.
- * AIR OPERATED STEAM DAMPER SYSTEM REQUIRES CLEAN, DRY, REGULATED 80 PSI +/- 10 PSI (5.5 BAR +/- 0.69 BAR) AIR SUPPLY.



Electrical Service Specifications

SERVICE VOLTAGE	PHASE	WIRE SERVICE	APPROX AMP DRAW		CIRCUIT BREAKER
			60 Hz	50 Hz	
GAS & STEAM					
120	1ø	2	13.0	--	20
208	1ø	2	7.6	--	15
220	1ø	2	7.3	8.6	15
230	1ø	2	--	8.0	15
240	1ø	2	7.0	8.0	15
GAS & STEAM					
208	3ø	3	4.7	--	15
220	3ø	3	4.8	4.8	15
230	3ø	3	--	4.7	15
240	3ø	3	4.9	5.4	15
380	3ø	4*	2.9	3.1	15
400	3ø	4*	--	3.2	15
416	3ø	4*	--	3.1	15
440	3ø	4*	2.6	--	15
460	3ø	3	2.8	--	15
480	3ø	3	2.8	--	15

Electrical Service Specifications

SERVICE VOLTAGE	PHASE	WIRE SERVICE	APPROX AMP DRAW		CIRCUIT BREAKER
			60 Hz	50 Hz	
30 kW (Nominal) Electric					
Single Phase Heat Single Phase Motor					
208	1ø	2	152	--	200
220	1ø	2	125	127	175
230	1ø	2	123	130	175
240	1ø	2	132	133	175
Three Phase Heat Single Phase Motor					
208	3ø	3	91	--	125
220	3ø	3	86	77	125
230	3ø	3	71	78	100
240	3ø	3	79	80	100
380	3ø	4*	--	48	70
400	3ø	4*	--	48	70
416	3ø	4*	49	50	70
Three Phase Heat Three Phase Motor					
208	3ø	3	88	--	125
220	3ø	3	73	73	100
230	3ø	3	--	75	100
240	3ø	3	77	78	100
380	3ø	4/3	42	49	70
400	3ø	4/3	--	44	60
416	3ø	4/3	--	45	60
440	3ø	3	37	--	50
460	3ø	3	38	--	50
480	3ø	3	39	--	50

Electrical Service Specifications

SERVICE VOLTAGE	PHASE	WIRE SERVICE	APPROX AMP DRAW		CIRCUIT BREAKER
			60 Hz	50 Hz	
24 kW (Nominal) Electric					
Single Phase Heat Single Phase Motor					
208	1ø	2	123	--	150
220	1ø	2	98	100	125
230	1ø	2	97	104	150
240	1ø	2	107	108	150
Three Phase Heat Single Phase Motor					
208	3ø	3	74	--	100
220	3ø	3	60	61	80
230	3ø	3	56	63	80
240	3ø	3	65	66	90
380	3ø	4*	--	39	50
400	3ø	4*	--	40	50
416	3ø	4*	--	41	60
Three Phase Heat Three Phase Motor					
208	3ø	3	71	--	90
220	3ø	3	57	57	80
230	3ø	3	--	60	80
240	3ø	3	63	63	80
380	3ø	4/3	33	33	50
400	3ø	4/3	--	35	50
416	3ø	4/3	--	36	50
440	3ø	3	29	--	40
460	3ø	3	30	--	40
480	3ø	3	32	--	40



Pellerin Milnor Corporation, P.O. Box 400, Kenner, LA 70063 USA,
Phone 504.712.7656 Toll Free: 800.469.8780 Fax: 504.468.3094

www.milnor.com